

Start in a Snark !





# SUPER SNARK



Sailing is simple. And with Snark, it's safe, too. Our boats just won't sink. So parents don't worry and families have FUN.



Wind and water.

Two of life's most abundant resources are at your command. And they're yours to enjoy. Free. Throw in the warmth of the sun, a majestic shoreline, family, friends – and a Snark boat – and you have a rare opportunity to share the simplest of life's pleasures. Sailing.

It's just plain basic. No gas, no trailer, no compliance permits. No bother.

Snark boats are designed for simplicity. And durability.

Because we know our customers.

They're people like you. People who want fun and excitement. People who want adventure. People who want to get their feet wet, lean back and feel the power of the wind.

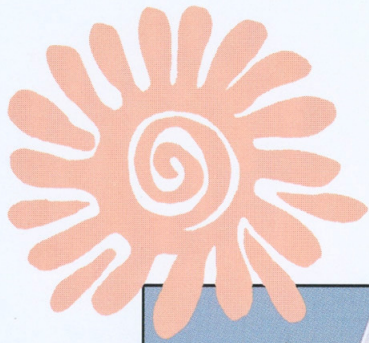
In fact, more people have learned to sail for pleasure on Snark boats than any other boat in the world.

Why? When sailing is this easy – and this affordable – who wants to be left on land?

The pride of our fleet, Super Snark, is designed for simplicity and safety. And it's the best-priced boat in its class.

The Super Snark features the durability of our exclusive ABS Armorclad™ hull. Sturdy and unsinkable, it's the perfect boat for beginners of any age. (Package includes a beginner's sailing manual, FREE!) Accommodates two people and comes with all the riggings. Just throw it on your cartop and seek water.





Wet and wild, Snark's Sunflower 3.3 is cut for speed. The bow splash guard also protects stowed gear or a picnic feast.

For the novice sailor, nothing beats the Sunflower 3.3 for ease of rigging or the comfort of a lazy day's sail.

Sunflower 3.3 offers 11 ft. of unsinkable, ABS Armorclad™ hull with an optional wooden seat. The bow and splash guard protects food and gear, and encourages beginning sailors to seek the speed and excitement that only Snark boats can promise.

At only 50 pounds, Sunflower 3.3 is car-toppable. And, like all Snark boats, cleaning is a breeze with a little soap and water. A snap to maintain – a cinch to launch – you'll want to take it everywhere.



## SUNFLOWER 3.3





# SEA SKIMMER



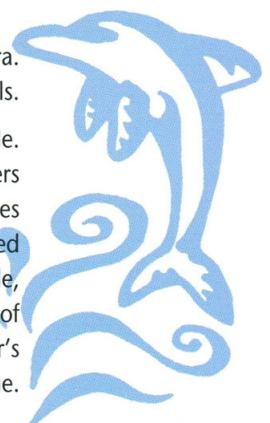
Snark has revolutionized the simplicity of board sailing. Sea Skimmer lets you take the challenge of the open water, lying down – and with one arm behind your back.

Every Snark boat is designed for ease of travel on water, as well as land. Just tie one on to the top of your car and head for the nearest lake, ocean, river or pond.



Extra performance doesn't have to cost extra.  
Or demand extra skills.

Sea Skimmer is designed for speed, style and sizzle. A full 70 sq. ft. of sail lets you whip just centimeters above the water. And the sloop rig with jib makes it easy for more advanced sailors to maximize their speed close to the wind. Twelve feet of unsinkable, ABS Armorclad™ hull is the longest – and sleekest – of Snark's line. And the deck is a sunbather's dream come true.





For real family fun, Snark's Sunchaser II really packs it in. Two forward insulated compartments even let you pack up lunch and cold drinks.

What makes the Sunchaser II Snark's #1 boat is its amazing versatility. Complete with a 100 sq. ft. of jib and mainsail, Sunchaser II also includes oar locks and a reinforced motor transom mount. And the 12 ft., unsinkable, ABS Armorclad™ hull can float a full 900 pounds of Moms, Dads or kids.

Same fun, same versatility, but a slightly better price. What's the difference? Snark's Sunchaser I has a lateen sail any novice can handle.

Seventy-two square feet of sail helps power this four-person craft. But attach a motor or throw in some oars and you have a very inexpensive and sturdy dinghy. What's more, Sunchaser I's hull offers the same insulated compartments to help make your sailing adventure an all-day, go anywhere experience.



## SUNCHASER II & SUNCHASER I

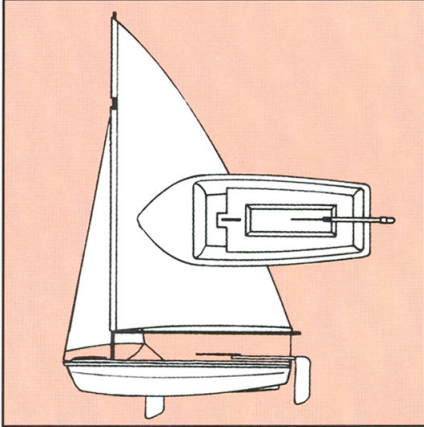


Snark's full line of easy-to-sail, easy-to-stow, car-toppable sailboats come in a myriad of colors and styles. The hardest decision any new sailor must make is, "Which one?"





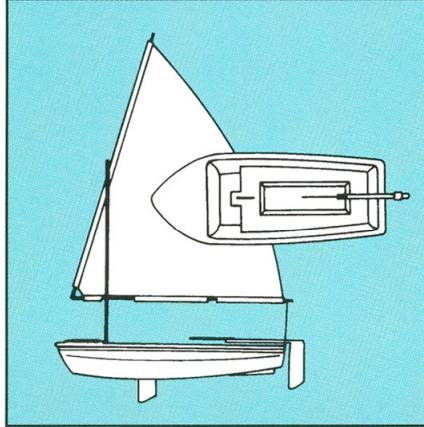
# DETAILS, DETAILS, DETAILS



## SUNCHASER II

Length: 12'      Beam: 4' 8"  
 Sail: Sloop rigged  
 Sail Area: 80 sq.ft. main; 20 sq.ft. jib  
 Hull: ABS Armorclad™  
 Capacity: 900 lbs. (up to 4 people)  
 Weight: 125 lbs.

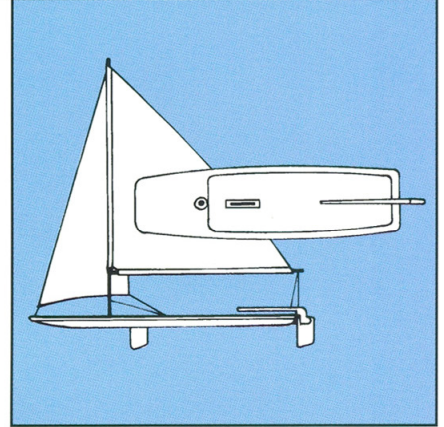
Complete with sails, wooden kick-up rudder, wooden centerboard, riggings and fittings. Insulated forward built-in compartments. Reinforced transom motor mount. Oar locks. Mast and boom are aluminum. Wooden parts are marine varnished.



## SUNCHASER I

Length: 12'      Beam: 4' 8"  
 Sail: Lateen      Sail Area: 72 sq.ft.  
 Hull: ABS Armorclad™  
 Capacity: 900 lbs. (up to 4 people)  
 Weight: 125 lbs.

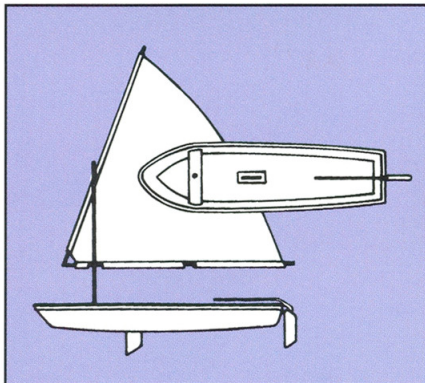
Complete with sails, wooden kick-up rudder, wooden centerboard, riggings and fittings. Insulated forward built-in compartments. Reinforced transom motor mount. Oar locks. Mast, spar and boom are aluminum. Wooden parts are marine varnished.



## SEA SKIMMER

Length: 12'      Beam: 3' 3"  
 Sail: Sloop rigged  
 Sail Area: 55 sq.ft. main; 15 sq.ft. jib  
 Hull: ABS Armorclad™  
 Capacity: 475 lbs. (up to 3 people)  
 Weight: 55 lbs.

Complete with sails, daggerboard, rudder, riggings and fittings. Mast and boom are aluminum. Wooden parts are marine varnished.



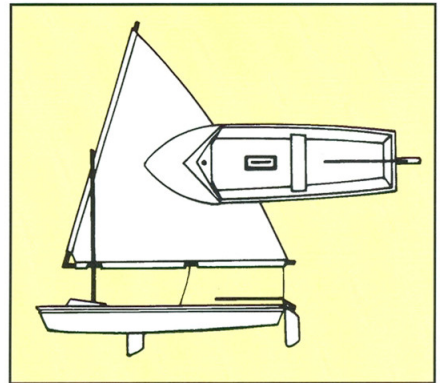
## SUPER SNARK

Length: 11'      Beam: 3' 2"  
 Sail: Lateen      Sail Area: 45 sq.ft.  
 Hull: ABS Armorclad™  
 Capacity: 310 lbs. (up to 2 people)  
 Weight: 50 lbs.

Complete with sail, daggerboard, rudder, riggings and fittings. Mast, spar and boom are aluminum. Wooden parts are marine varnished.



Sail and hull colors may vary from those depicted in photographs. All equipment, specifications and materials may change without prior notice.



## SUNFLOWER 3.3

Length: 11'      Beam: 3' 6"  
 Sail: Lateen      Sail Area: 55 sq.ft.  
 Hull: ABS Armorclad™  
 Capacity: 310 lbs. (up to 2 people)  
 Weight: 50 lbs.

Complete with sail, daggerboard, rudder, riggings and fittings. Mast, spar and boom are aluminum. Wooden parts are marine varnished. Wooden sail seat optional.



## SNARK BOATS

The World's Largest Sailboat Manufacturer

CastleCraft

Marine Division of  
 Castle Equipment Co. 1 (888) 274-8490  
 P.O. Box 3 1 (815) 458-6216  
 Braidwood, IL 60408 [www.castlecraft.com](http://www.castlecraft.com)